

MITSUBISHI

Lift Trucks

FD100

FD115

FD135

FD150



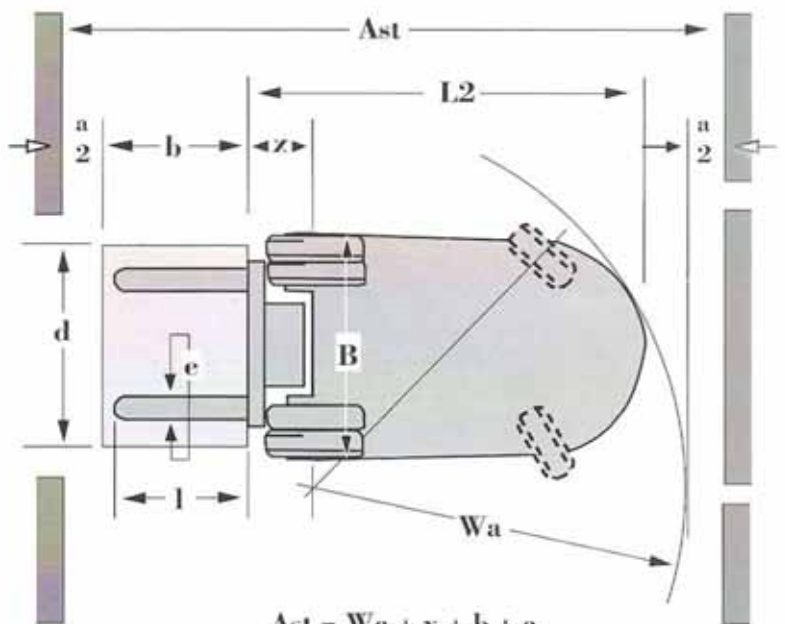
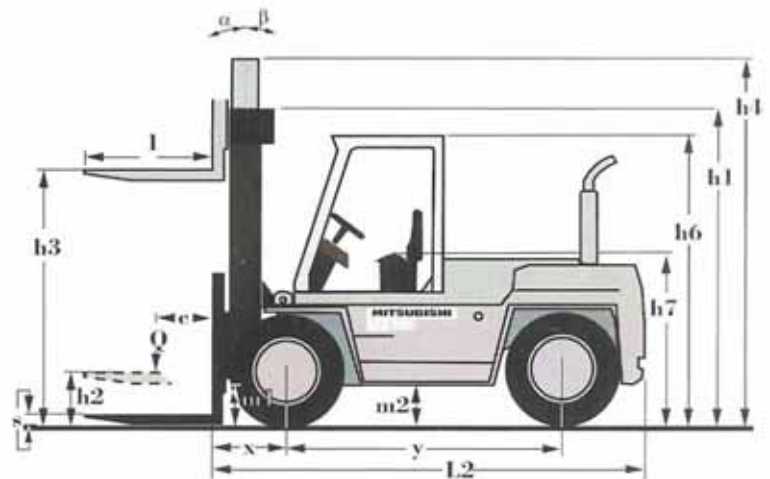
 **MITSUBISHI**
FORKLIFT TRUCKS



Characteristics						
1	Manufacturer	Abbreviation		Mitsubishi	Mitsubishi	
2	Type	Model designation of manufacturer		FD100	FD115	
3	Lifting capacity	Q	rated load	t	10.0	11.5
4	At load centre	c	distance	mm	600	600
5	Power source	Battery, diesel, LP gas, petrol		Diesel	Diesel	
6	Steering control	Pedestrian, (operator)-standing, -seated		Seated	Seated	
7	Tyre type	V=solid, L=pneumatic, SE=solid pneumatic		front/rear	L / L	L / L
8	Wheels (x=driven)	Number, front/rear			4 / 2	4 / 2
Dimensions						
9	Lift with	h3	standard lift height	mm	5000	5000
10	two stage mast	h2	standard free lift	mm	-	-
11		h5	full free lift	mm	-	-
12	Fork carriage	to DIN 15 173 A/B/no			No	No
13	Forks	s,e,l	thickness, width, length	mm	70, 180, 1220	70, 180, 1220
14	Tilt of mast	α/β	forwards/backwards	°	15 / 12	15 / 12
15	Dimensions	L2	Length to fork face (includes fork thickness)	mm	4295	4370
16		B	Overall width	mm	2515	2515
17		h1	Height with mast lowered	mm	4070	4090
18		h4	Height with mast raised	mm	6570	6590
19		h6	Height to top of overhead guard	mm	2835	2835
20		h7	Seat height	mm	1745	1745
21	Turning circle radius	Wa		mm	4000	4060
22	Load distance	x	from centre of front axle	mm	755	755
23	Working aisle width	Ast	800x1200 / 1000x1200 mm pallets	mm	5755 / 5955	5815 / 6015
Performance						
24	Speeds	Travel with/without load		km/hr	24.5 / 31.5	24.5 / 31.5
25		Lifting with/without load		m/s	0.33 / 0.36	0.34 / 0.36
26		Lowering with/without load		m/s	0.45 / 0.50	0.45 / 0.50
27	Rated drawbar pull	with/without load (60 min short duty)		kN	108.0 / 43.0	106.5 / 42.0
28	Maximum drawbar pull	with/without load (5 min short duty)		kN		
29	Gradeability	with/without load		%	27 / 28	25 / 25
30	Maximum gradeability	with/without load		%		
31	Acceleration time	with/without load (0 - 10 m)		s		
Weight						
32	Truck weight (without load)	including battery		kg	14770	15670
33	Axle loading	with rated load front/rear		kg	22490 / 2280	24610 / 2560
34		without load front/rear		kg	7660 / 7110	7560 / 8110
Chassis						
35	Tyres	Number of, front/rear		No.	4 / 2	4 / 2
36		Dimensions	front	" or mm	10.00 x 20 - 14 PR	10.00 x 20 - 16 PR
37			rear	" or mm	10.00 x 20 - 14 PR	10.00 x 20 - 16 PR
38	Wheelbase	y		mm	2800	2800
39	Track gauge	distance between centreline of tyres, front/rear		mm	1900 / 1930	1900 / 1930
40	Ground clearance	m1	with load at lowest point	mm	220	220
41		m2	centre of wheelbase	mm	340	340
42	Service brakes	Mechanical/hydraulic/electric/pneumatic			Pneumatic / Hydraulic	Pneumatic / Hydraulic
43	Parking brakes	foot/hand/deadman brake			Hand	Hand
Drive Train						
44	Battery	to DIN 43535/36 A/B/C/no				
45		Voltage/capacity at 5-hour discharge		V/Ah		
46		Weight		kg		
47	Electric motors	Drive motor capacity (60 min. short duty)		kW		
48		Lift motor output @ 15% duty factor		kW		
49	I.C. engine	Manufacturer/Type			Mitsubishi / 6D16	Mitsubishi / 6D16
50		Effective output B to DIN 70 020		kW	96.3	96.3
51		Rated speed to DIN 70 020		rpm	2200	2200
52		Number of cylinders / cubic capacity		/cm ³	6 / 7545	6 / 7545
53		Fuel consumption		l/hr	-	-
54	Drive control	for electric truck		type / steps		
55	Transmission	for I.C. engine truck		type / speeds	Powershift / 3	Powershift / 3
56	Clutch	for I.C. engine truck		type	-	-
57	Operating pressure	for attachments		bar	157	157
58	Noise level	Mean value at operator's ear		dB(A)	-	-

FD100 • FD150 • FD135 • FD150

10.0t • 11.5t • 13.5t • 15.0t



$$Ast = Wa + x + b + a$$

- Ast = Working aisle width with load
- a = Safety clearance = 200 mm
- b = Pallet width (800 or 1000 mm)
- d = Pallet length (1200 mm)

1	Mitsubishi	Mitsubishi
2	FD135	FD150
3	13.5	15.0
4	600	600
5	Diesel	Diesel
6	Seated	Seated
7	L / L	L / L
8	4 / 2	4 / 2
9	5000	5000
10	-	-
11	-	-
12	No	No
13	90, 180, 1220	90, 180, 1220
14	15 / 12	15 / 12
15	4530	4830
16	2600	2600
17	4350	4350
18	6850	6850
19	2995	2995
20	1790	1790
21	4160	4550
22	795	795
23	5955 / 6155	6345 / 6545
24	22.0 / 33.0	20.5 / 33.0
25	0.29 / 0.31	0.28 / 0.31
26	0.38 / 0.42	0.38 / 0.42
27	97.0 / 44.5	97.0 / 48.0
28		
29	21 / 24	20 / 25
30		
31		
32	17940	18380
33	28300 / 3140	30350 / 3030
34	8140 / 9800	8620 / 9760
35	4 / 2	4 / 2
36	12.00 x 20 - 18 PR	12.00 x 20 - 18 PR
37	12.00 x 20 - 18 PR	12.00 x 20 - 18 PR
38	2800	3100
39	1905 / 1890	1905 / 1890
40	260	260
41	380	380
42	Pneumatic / Hydraulic	Pneumatic / Hydraulic
43	Hand	Hand
44		
45		
46		
47		
48		
49	Mitsubishi / 6D16	Mitsubishi / 6D16
50	96.3	96.3
51	2200	2200
52	6 / 7545	6 / 7545
53	-	-
54		
55	Powershift / 3	Powershift / 3
56	-	-
57	157	172
58	-	-

Growing companies depend on Mitsubishi lift trucks.



Mast Performance and Capacity

Mast Type	FD100 • FD115				FD100	FD115
	h3 mm	h1* mm	h4* mm	h2 /h5 mm	Q @ c=600 mm kg	Q @ c=600 mm kg
Simplex	3000	2970	4470	-	10000	11500
	3500	3270	5020	-	10000	11500
	4000	3520	5520	-	10000	11500
	4500	3820	6070	-	10000	11500
	5000	4070	6570	-	10000	11500
	5500	4320	7070	-	10000	11500
	6000	4620	7620	-	9600	11100
	6500	4870	8120	-	9400	10900
	7000	5170	8670	-	9200	10700

Mast Type	FD135 • FD150				FD135	FD150
	h3 mm	h1 mm	h4 mm	h2 /h5 mm	Q @ c=600 mm kg	Q @ c=600 mm kg
Simplex	3000	3300	4800	-	13500	15000
	3500	3550	5300	-	13500	15000
	4000	3850	5850	-	13500	15000
	4500	4100	6350	-	13500	15000
	5000	4350	6850	-	13500	15000
	5500	4650	7400	-	13500	15000
	6000	4900	7900	-	12900	14200
	6500	5200	8450	-	12800	14200
	7000	5450	8950	-	12600	13800

- h1 Height with mast lowered
- h2 Standard free lift
- h3 Lift with mast
- h4 Height with mast raised
- h5 Full free lift
- Q Lifting capacity, rated load
- c Load centre (distance)

* +20 mm on FD115



GESM0081(7/95)IdB
© 1995 MCFE
Printed in Switzerland



A. VOLLEBREGT B.V.

VERKOOP- VERHUUR VAN VORKHEFTRUCKS

Bleiswijk

Telefoon (010) 521 32 88 - Fax (010) 521 96 73

NOTE: Performance specifications may vary depending on standard manufacturing tolerances, vehicle condition, type of tyres, floor or surface conditions, applications, or operating environment. Trucks may be shown with non-standard options. Specific performance requirements and locally available configurations should be discussed with your Mitsubishi Lift Truck Distributor. Mitsubishi follows a policy of continual product improvement. For this reason, some materials, options and specifications could change without notice.