

# NICHIVU

- Tot 15 uur inzetbaar met 1 batterijlading
- Economische en milieuvriendelijke vervanger van motortrucks
- Geen schadelijke uitlaatgassen
- Geluïdsarm
- Hogere overslagcapaciteit door:
  - rijsnelheid tot 18 km/uur
  - hoge hefsnelheid
  - grote wendbaarheid
- Japanse perfectie, al meer dan 25 jaar in Nederland

**NYK**  
*"Special"*

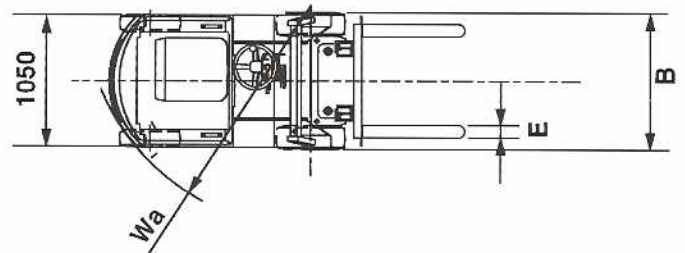
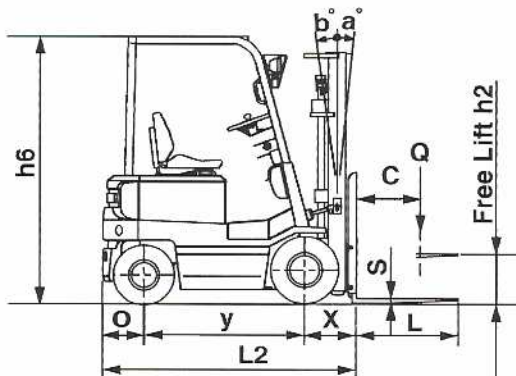
Cap. 1350-2500 Kg

CE



SPECIFICATIONS		Standard	"Special"						
Characteristics	Model			FB14P	FB15P	FB18P	FB20P	FB25P	
	Capacity	Q	Rated Capacity	kg	1350	1500	1750	2000	2500
	Load Center	C	Distance	mm	500	500	500	500	500
Dimensions	Lift 2-Stage Upright	h3	Lift	mm	3000	3000	3000	3000	3000
		h2	Standard Free Lift	mm	390	390	390	390	390
	Fork	L		mm	1070	1070	1070	1070	1070
	Upright Tilt	a/b	a:Forward / b:Backward	deg.	6/12	6/12	6/12	6/12	6/12
		B	Total Width	mm	1050	1050	1050	1150	1150
	Overall Dimensions	L2	Lenght to Face of Forks	mm	1965	1965	2010	2235	2295
				mm	2150/2040	2150	2150	2300	2300
		h6	Overhead Guard Height	mm	2110	2110	2110	2110	2110
				mm	2110/2160	2160/2210	2160/2210	2210	2210
			Battery cover Height	mm	980	980	980	980	980
				mm	980/1060	1060/1120	1060/1120	1120	1120
	O	Overhang: Rear	mm	320	320	360	350	410	
			mm	510/390	510	510	460	460	
Turning Radius	Wa	mm	1760	1760	1775	1980	2035		
		mm	1910/1820	1910	1910	2035	2035		
Load Distance	X	From Center of Front Axle	mm	395	395	400	445	445	
Performance	Speeds	Travel Speed With/Without Load	km/hr	13.0/15.0	13.0/15.0	12.5/15.0	13.0/15.0	12.5/14.5	
		Lift Speed With/Without Load	m/s	0.33/0.54	0.32/0.54	0.31/0.54	0.28/0.47	0.26/0.47	
		Lowering Speed With/Without Load	m/s	500/500	500/500	500/500	500/500	500/500	
	Nom. Drawbar Pull		With/Without Load (60min) N	2860/3190	2640/3000	2520/2950	2450/2940	2210/2820	
	Max. Drawbar Pull		With/Without Load (5min) N	11200/11500	10600/11000	10500/10900	10400/10900	10100/10700	
	Gradeability		With/Without Load (30min) %	13.0/20.0	11.5/18.3	10.2/16.9	8.7/14.5	7.1/12.5	
Max. Gradeability		With/Without Load (5min) %	26.4/39.6	23.7/36.5	21.2/33.8	18.0/28.6	15.0/25.1		
Weight	Total Unladen Weight		With Battery (Line 46) kg	2820	2910	3140	3710	4215	
Wheel and Tires	Tyres	Size	Front	6.00-9	21X8-9	21X8-9	23X9-10	23X9-10	
			Rear	5.00-8	5.00-8	5.00-8	18X7-8	18X7-8	
	Wheelbase	y	Mast Forward / Vertical / Back	mm	1250	1250	1250	1400	1400
Power Unit and Transmission	Battery 48 Volt	Type		Lead-Acid	Lead-Acid	Lead-Acid	Lead-Acid	Lead-Acid	
		Capacity / According Din 5 hr.	Ah	442/556	442/556	513/556	583/642	583/642	
			Ah	750/810	900/1040	900/1.040	1040	1040	
	Electric Motors	Drive Motor / 60min Rating	KW	7.8	7.8	7.8	8.3	8.3	
		Hoist Motor / 15min Rating	KW	7.7	7.7	9.0	9.0	9.0	
	Power Steering	KW	0.4	0.4	0.4	0.5	0.5		
Control System	FET CHOPPER CONTROL (SICOS 60 )								

All specifications are subject to change without notice



**NICHIBU**



**NYK**